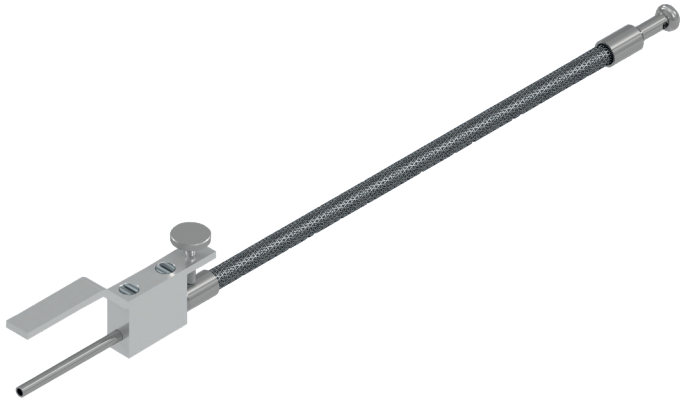


Exhaust probe type AU1

Description



Features

- Flexible stainless steel tube
- Angled handle
- Retaining screw
- Gas inlet radially behind the ball point

Areas of application

- Emission measurement at large vehicles, e.g. truck, bus, tank

Technical data

Exhaust probe type AU1	
Sleeve length	300 mm
Sleeve Ø	14 mm
Material sleeve	Chrome-nickel stainless steel 1.4301
Handle	AlMg3, Ø 15 x 4 mm
Cable structure	Corrugated hose
Cable length	260 mm
Probe tip	Ø 14 x 47 mm, 1.4305
Connection	Gas connection Ø 6 x 100 mm
Special	Angled handle with retaining screw, gas inlet radially behind the ball point
Article number	0629 0036-100